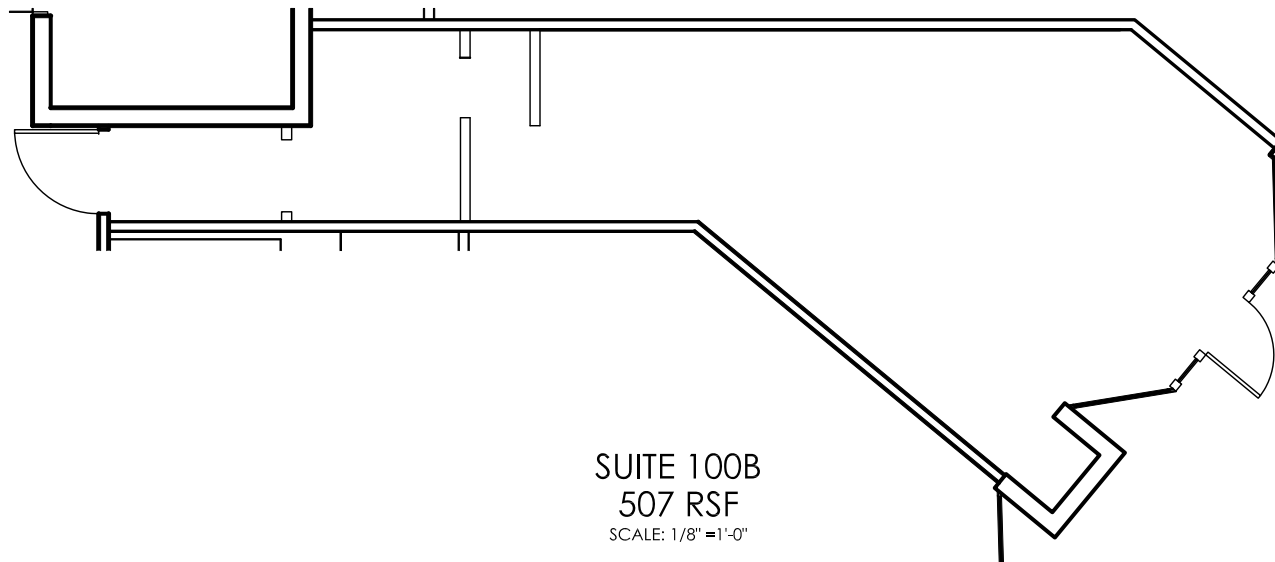


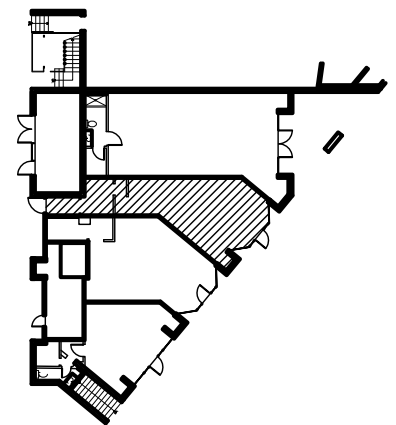


LIDO MARINA VILLAGE

3431 Via Oporto
Newport Beach, CA 92663



SUITE 100B
507 RSF
SCALE: 1/8" = 1'-0"



KEY PLAN
N.T.S.



TEL: 949.720.8400
Angela Brand: abrand@davenportpartners.com
Mark Valentine: mvalentine@davenportpartners.com

VORNADO
REALTY TRUST

On-site Leasing Office:
3422 Via Lido, Newport Beach, CA 92663

ALL DIMENSIONS ARE APPROXIMATE AND ARE SUBJECT TO NORMAL BUILDING VARIANCES Date: 02-17-10